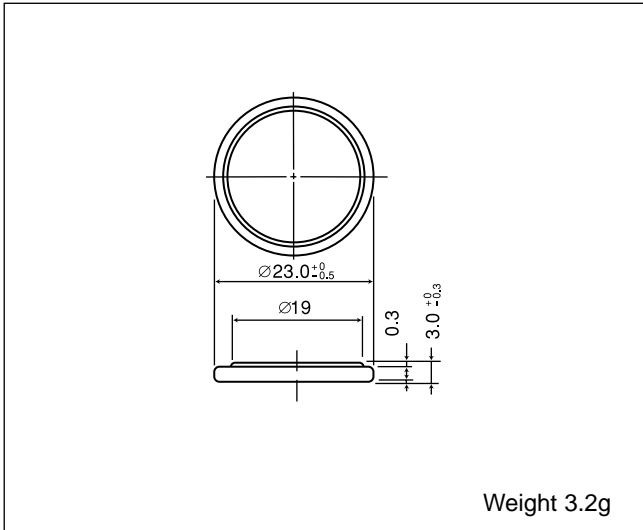


## BR2330A

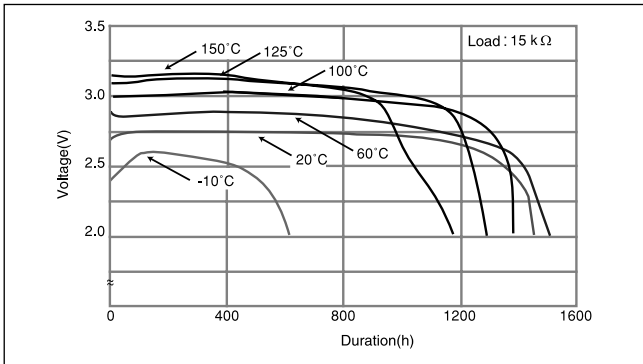
### ■ Dimensions(mm)



### ■ Specification

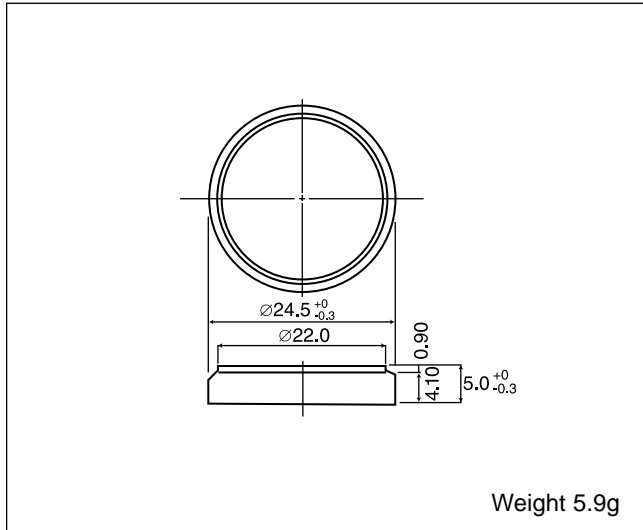
Nominal voltage(V)	3
Nominal capacity(mAh)	255
Continuous standard load(mA)	0.03
Operating temperature(°C)	-30 ~ +125

### ■ Temperature Characteristics



## BR2450A

### ■ Dimensions(mm)



### ■ Specification

Nominal voltage(V)	3
Nominal capacity(mAh)	600
Continuous standard load(mA)	0.03
Operating temperature(°C)	-30 ~ +125