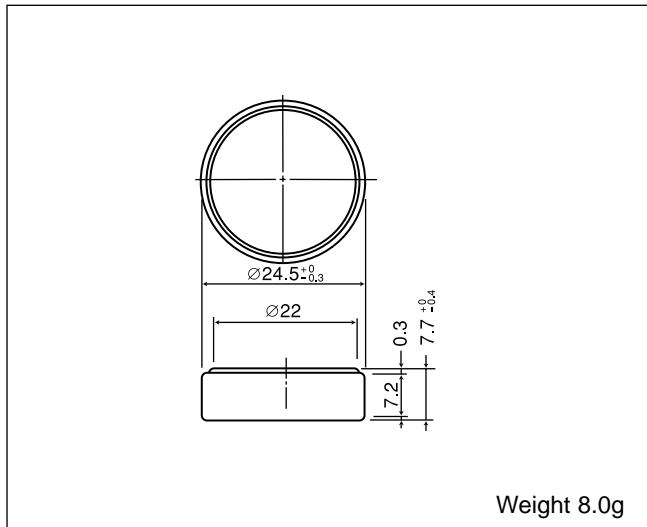


BR2477A

■ Dimensions(mm)



■ Specification

Nominal voltage(V)	3
Nominal capacity(mAh)	1,000
Continuous standard load(mA)	0.03
Operating temperature(°C)	-30 ~ +125

■ Temperature Characteristics

