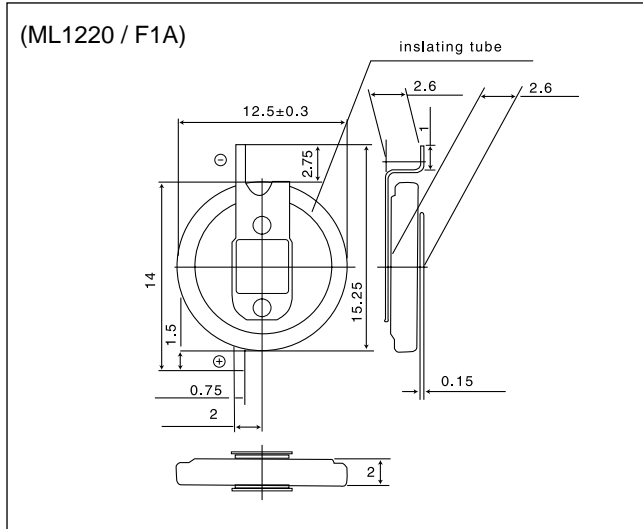


ML1220

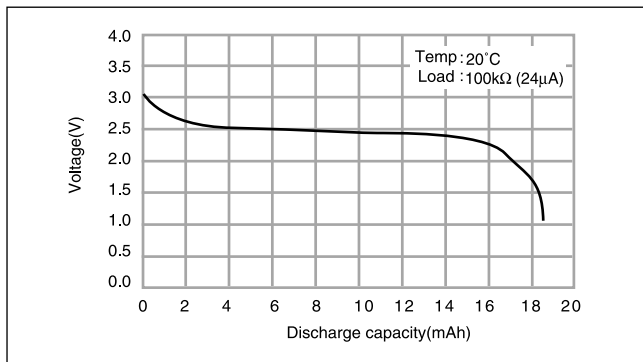
■ Dimensions(mm)



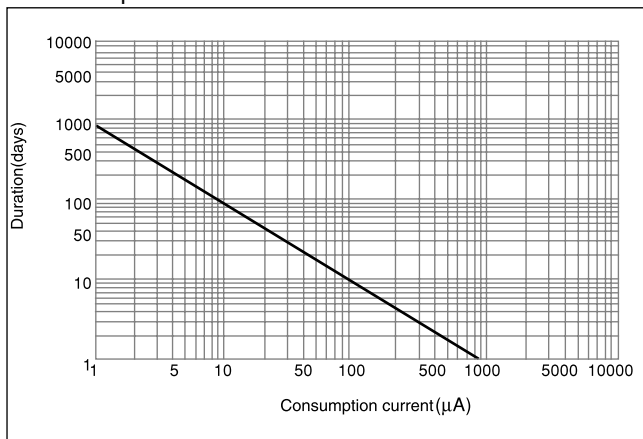
■ Specification

Nominal voltage(V)	3
Nominal capacity(mAh)	17.0
Continuous standard load(mA)	0.03
Operating temperature(°C)	-20 ~ +60

■ Discharge characteristics

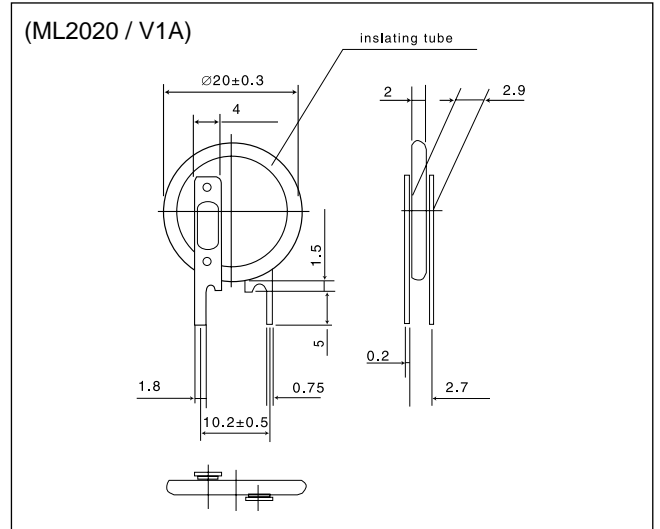


■ Consumption current vs. Duration time



ML2020

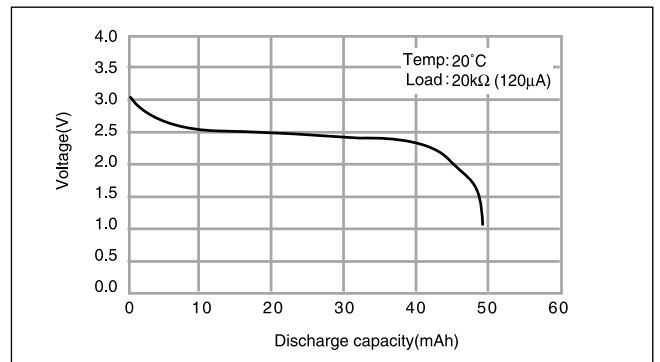
■ Dimensions(mm)



■ Specification

Nominal voltage(V)	3
Nominal capacity(mAh)	45
Continuous standard load(mA)	0.1
Operating temperature(°C)	-20 ~ +60

■ Discharge characteristics



■ Consumption current vs. Duration time

