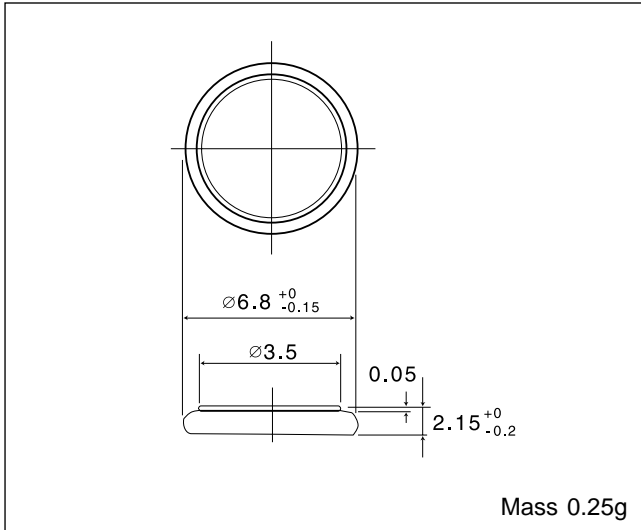


# MT621

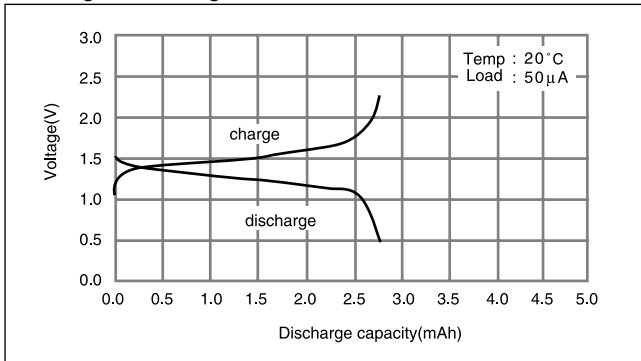
## ■ Dimensions(mm)



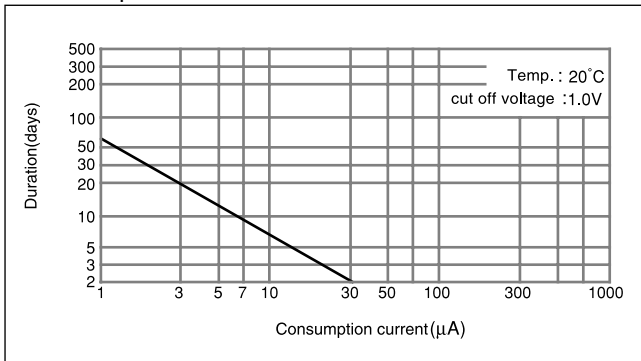
## ■ Specification

Nominal voltage(V)	1.5
Nominal capacity(mAh)	2.5
Continuous drain(mA)	0.05
Operating temperature(°C)	-20 ~ +60

## ■ Charge / discharge characteristics

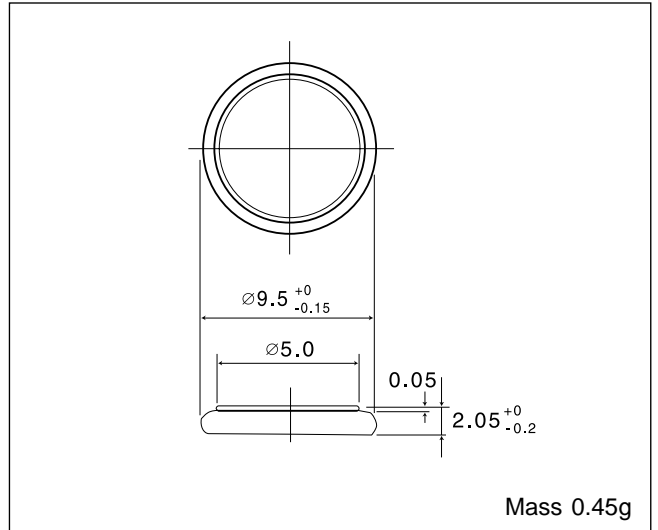


## ■ Consumption current vs. Duration time



# MT920

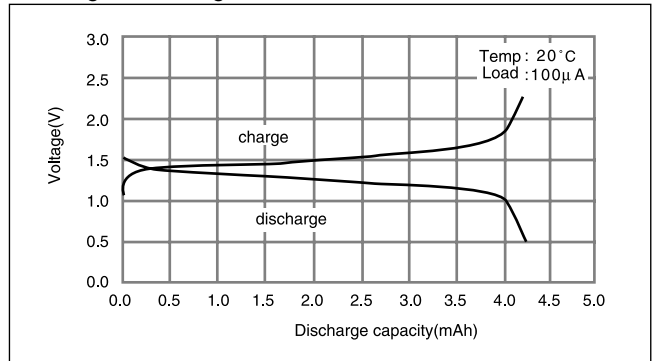
## ■ Dimensions(mm)



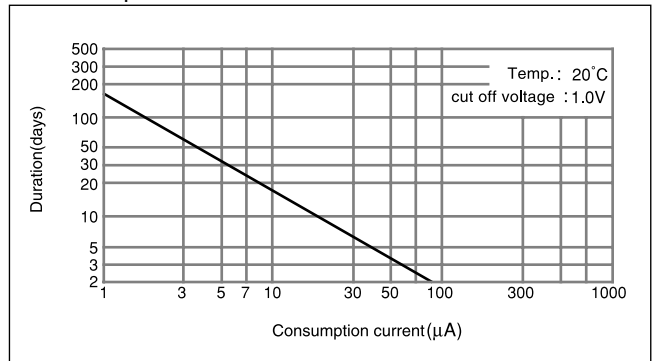
## ■ Specification

Nominal voltage(V)	1.5
Nominal capacity(mAh)	5.0
Continuous drain(mA)	0.10
Operating temperature(°C)	-20 ~ +60

## ■ Charge / discharge characteristics



## ■ Consumption current vs. Duration time



## ■ Discharge characteristics

