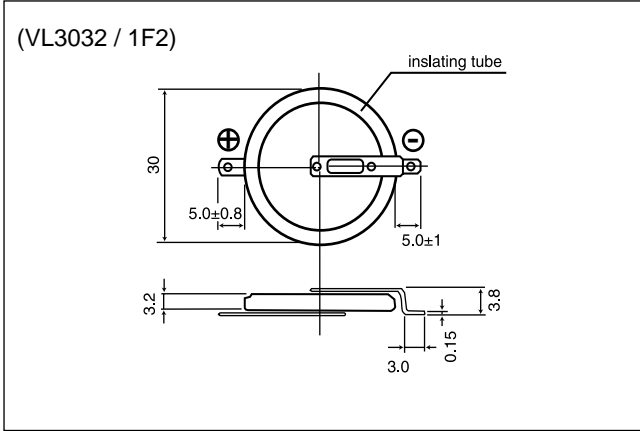


# VL3032

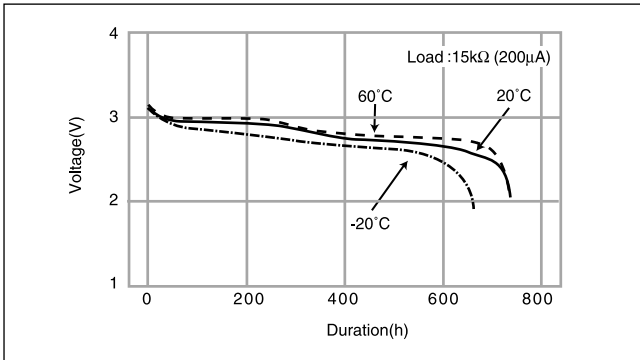
## ■ Dimensions(mm)



## ■ Specification

<b>Nominal voltage(V)</b>	3
<b>Nominal capacity(mAh)</b>	100.0
<b>Continuous standard load(mA)</b>	0.2
<b>Operating temperature(°C)</b>	-20 ~ +60

## ■ Discharge Temperature Characteristics



## ■ Consumption current vs. Duration time

